



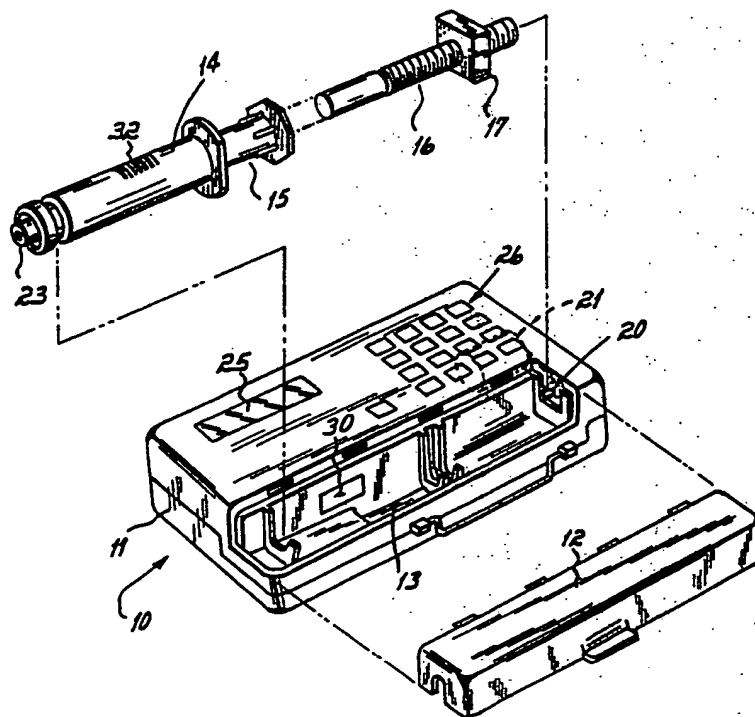
INTERNATIONAL APPLICATION PUBLISHED UNDER THE PATENT COOPERATION TREATY (PCT)

| | | |
|--|-----------|---|
| (51) International Patent Classification 5 : A61M 5/20 | A1 | (11) International Publication Number: WO 91/04759 |
| | | (43) International Publication Date: 18 April 1991 (18.04.91) |
| <p>(21) International Application Number: PCT/US90/04768</p> <p>(22) International Filing Date: 22 August 1990 (22.08.90)</p> <p>(30) Priority data: 414,371 29 September 1989 (29.09.89) US</p> <p>(71) Applicant: MEDEX, INC. [US/US]; 3637 Lacon Road, Hilliard, OH 43026 (US).</p> <p>(72) Inventor: ARTHUR, William, D., III ; 8870 Glenn Ferry Drive, Aphairetta, GA 30201 (US).</p> <p>(74) Agents: KONOLD, William, G. et al.; Wood, Herron & Evans, 2700 Carew Tower, Cincinnati, OH 45202 (US).</p> | | <p>(81) Designated States: AT (European patent), AU, BE (European patent), CA, CH (European patent), DE (European patent)*, DK (European patent), ES (European patent), FR (European patent), GB (European patent), IT (European patent), JP, LU (European patent), NL (European patent), SE (European patent).</p> <p>Published <i>With international search report.</i> <i>Before the expiration of the time limit for amending the claims and to be republished in the event of the receipt of amendments.</i></p> |

(54) Title: **INFUSION PUMP WITH BAR CODE INPUT TO COMPUTER**

(57) Abstract

An infusion pump (10) has a housing (11) for receipt of a syringe (14), a motor (21) to drive the plunger (15) of the syringe to expel a medicant within the syringe, a computer for controlling the motor and a place to mount the syringe. A bar code reader (30) is mounted adjacent the syringe and the syringe has a pharmacist-applied bar code (32) that programs the computer with the data for the dispensing of the medicant.



* See back of page

DESIGNATIONS OF "DE"

Until further notice, any designation of "DE" in any international application whose international filing date is prior to October 3, 1990, shall have effect in the territory of the Federal Republic of Germany with the exception of the territory of the former German Democratic Republic.

FOR THE PURPOSES OF INFORMATION ONLY

Codes used to identify States party to the PCT on the front pages of pamphlets publishing international applications under the PCT.

| | | | | | |
|----|--------------------------|----|---------------------------------------|----|--------------------------|
| AT | Austria | ES | Spain | MC | Monaco |
| AU | Australia | FI | Finland | MG | Madagascar |
| BB | Barbados | FR | France | ML | Mali |
| BE | Belgium | GA | Gabon | MR | Mauritania |
| BF | Burkina Fasso | GB | United Kingdom | MW | Malawi |
| BG | Bulgaria | GR | Greece | NL | Netherlands |
| BJ | Benin | HU | Hungary | NO | Norway |
| BR | Brazil | IT | Italy | PL | Poland |
| CA | Canada | JP | Japan | RO | Romania |
| CF | Central African Republic | KP | Democratic People's Republic of Korea | SD | Sudan |
| CG | Congo | KR | Republic of Korea | SE | Sweden |
| CH | Switzerland | LJ | Licchtenstein | SN | Senegal |
| CM | Cameroon | LK | Sri Lanka | SU | Soviet Union |
| DE | Germany | LU | Luxembourg | TD | Chad |
| DK | Denmark | | | TC | Togo |
| | | | | US | United States of America |

-1-

INFUSION PUMP WITH BAR CODE INPUT TO COMPUTERBackground of the Invention

This invention relates to an infusion pump of the type described in Patent No. 4,529,401, that is, an infusion pump having a computer to control the dispensing of the medicant.

5 More specifically, the infusion pump of the '401 patent has a housing and a replaceable syringe mounted in the housing. A motor, mounted in the housing, is connected to the syringe plunger to drive the plunger axially in order to expel the medicant within the syringe into a patient. A computer is connected to the motor and a keyboard associated with the computer is provided for entering data concerning the dispensing of the medicant, the data including concentration, delivery modes and dosage data including the basal rate.

10 It is contemplated that the computer keyboard be patient-operated so that the infusion pump is of general application. The computer is thus modifiable for each patient's requirements through the

20

-2-

manipulation of the keyboard. But, some patients cannot cope with the keyboard or should not be permitted to cope with the keyboard. The possibility of patient injury through improper operation of the keyboard is present.

Another form of infusion pump has been proposed. In that form, critical information can be inputted into the computer only by an authorized person such as a pharmacist. For that purpose, a secret code is required for the complete operation of the keyboard. But, that form of infusion pump has its disadvantages, the principal one being that the programmed infusion pump must be dedicated to a particular patient.

Brief Summary of the Invention

It is an objective of the present invention to provide an infusion pump which is of universal application as to patient and medicant, but which prevents injury to the patient through inadvertent operation.

This objective of the invention is obtained by providing, in the infusion pump, a bar code reader or means to automatically enter a bar code instruction to input to the pump computer data which has heretofore been inputted by keyboard. The syringe has a bar code mounted on it so that the medicant within is that provided by the pharmacist in accordance with the prescription for the medicine. The pharmacist, given

-3-

the prescription, prepares the syringe with the patient-tailored bar code on it.

In use, the physician prepares the prescription for the medicine and this is given to the pharmacist. The prescription is filled and placed in one or more syringes. A bar code having the prescription data on it is prepared and, in label form, is mounted or attached to the syringe. The operator inserts the syringe into the pump housing. The bar code reader reads the bar code when the syringe is inserted in the housing and inputs the prescribed data to the pump computer. The infusion pump is thus programmed to be operated only in accordance with the physician-prepared prescription.

It is of course contemplated that some operator modification of the dispensing of the medicant will be permitted as, for example, the introduction of a supplemental dose or a bolus, but the bar code data would limit the amounts, frequency and so forth, so that while the patient could modify his intake of the medicant, the patient could not injure himself in the process because of the limits put on the patient operation by the bar code.

The several features of the invention will become more readily apparent from the following detailed description taken in conjunction with the accompanying drawings in which:

-4-

The Figure is a disassembled perspective view of the invention.

It is contemplated that the present invention is an improvement in known infusion pumps, and an
5 example of the type of pump to which the invention is directed is found in Patent No. 4,529,401. A description is completely incorporated herein by reference.

Detailed Description of the Drawings

The pump is indicated at 10 in the drawing and
10 includes a housing 11 having a closure cap 12. The housing provides a chamber 13 for receipt of a syringe 14. The syringe has a plunger 15. A screw 16 is mounted within the plunger and has a nut 17.

When the syringe is mounted in the housing 11,
15 the nut is fixed by the walls of the chamber 13 against rotation. The screw is connected to a drive pin 20 connected to a motor 21 shown in phantom lines. Operation of the motor causes the screw to rotate with respect to the nut 17. Since the nut is fixed the
20 screw moves axially, driving the plunger toward the dispensing end 23 of the syringe to expel the medicant from within the syringe.

The housing has a computer which preferably includes a display 25 for display of such data as the
25 patient needs for his observation. A keyboard 26 is provided for the introduction of the limited amount of

-5-

data into the computer to permit certain operations which the patient is permitted to control.

A bar code reader 30 is mounted in or easily connected to the pump in the housing and is connected to the computer to input data from a bar code to the computer. A bar code 32 is mounted on the face of the syringe. Preferably, the bar code is in a label form that is prepared by the pharmacist and mounted by the pharmacist on the syringe so as to program the computer for the specific medicant that is in the syringe and for the specific patient for whom the medicant is prescribed. The bar code is adapted to be read by the bar code reader when the syringe is inserted into the chamber 13. The bar code could be interrogated before, during, or after syringe mounting. When the syringe is inserted in the chamber 13, the cap 12 is applied to enclose the syringe within the chamber.

In operation, the patient obtains a prescription for the medicant from his physician. The patient takes the prescription to the pharmacist. The pharmacist fills one or more syringes of a size to fit the housing 11 with the medicant prescribed. The pharmacist enters in a machine known in the art the necessary data concerning the medicant and its concentration, dosage and so forth. That data is printed by the machine in bar code form on labels which the

-6-

pharmacist mounts in a designated place on the syringe.

The operator places a syringe having the bar code data on it in the housing with the bar code adjacent the bar code reader. The bar code reader reads the data and inputs the data to the computer. Thereupon, the infusion pump is ready for the administration of the prescribed dosage to the patient while permitting the operator to make permitted alterations in the mode and dosage.

While the invention has been described with specific reference to a bar code and reader, it is to be understood that the invention is also applicable to other machine-readable indicia such as magnetic strips, user insertable memory keys or tags, etc.

Having thusly described my invention, I claim:

20

25

-7-

(1) An infusion pump comprising:
a housing,
mounting means on said housing for a syringe
having a plunger,

5 means including a motor connected to said
plunger for driving said plunger at a preselected
rate,

a computer connected to said motor for
controlling the operation of said plunger,

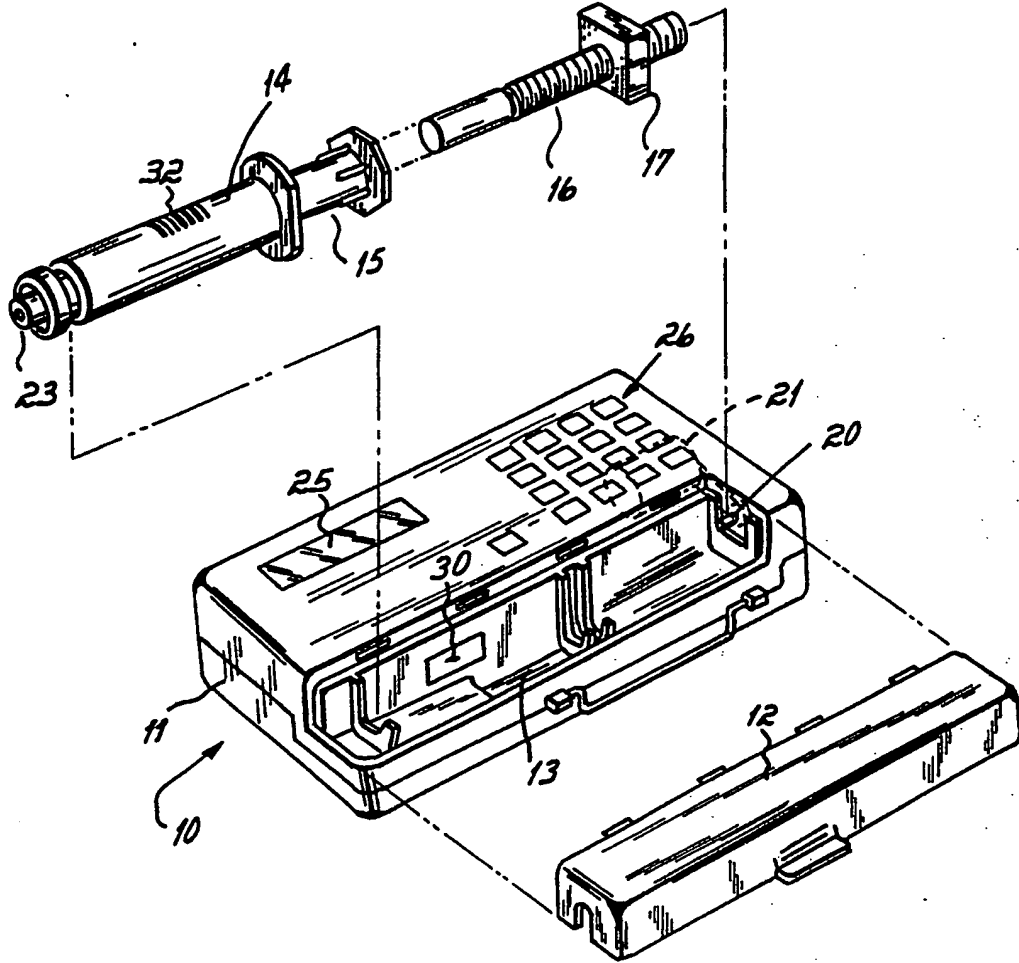
10 said computer being capable of receiving
data relating to a patient's dosage requirements and
converting that data to an output that controls said
motor to drive said plunger in accordance with received data,

15 a reader for machine-readable computer data
connected to said computer,

a syringe having a plunger and having
machine-readable data mounted on the syringe and
containing data relating to a patient's dosage require-
20 ment,

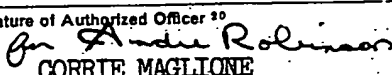
said reader, upon reading said data, control-
ling the operation of said motor and hence the dispens-
ing of medicant in said syringe, said syringe being
mounted by said mounting means to enable said reader
25 to read said data and program said computer for a
particular patient's requirements.

(2) Apparatus as in claim 1 in which said reader is a bar code reader and said data being in the form of a bar code on said syringe.



INTERNATIONAL SEARCH REPORT

International Application No **PCT/US90/04768**

| | | |
|---|--|-------------------------------------|
| I. CLASSIFICATION OF SUBJECT MATTER (if several classification symbols apply, indicate all) ² | | |
| According to International Patent Classification (IPC) or to both National Classification and IPC | | |
| IPC (5): A61M 5/20 | | |
| U.S. CL.: 604/167 | | |
| II. FIELDS SEARCHED | | |
| Minimum Documentation Searched ⁴ | | |
| Classification System | Classification Symbols | |
| U.S. | 604/65, 67, 151, 152, 154, 155, 235/375 128/DIG. 12, DIG. 1 | |
| Documentation Searched other than Minimum Documentation to the Extent that such Documents are Included in the Fields Searched ⁵ | | |
| III. DOCUMENTS CONSIDERED TO BE RELEVANT ¹⁴ | | |
| Category ⁶ | Citation of Document, ¹⁰ with indication, where appropriate, of the relevant passages ¹⁷ | Relevant to Claim No. ¹⁸ |
| A | US, A, 4,573,994 (FISCHELL ET AL) 04 MARCH 1986 Refer to figure 6 | 1,2 |
| A | US, A, 4,624,658 (MARDORF ET AL) 25 NOVEMBER 1986 Refer to abstract | 1,2 |
| A | US, A, 462,260 (FENTON, JR. ET AL) 24 MARCH 198 Refer to abstract | 1,2 |
| A | US, A, 4,767,406 (WADHAM ET AL) 30 APRIL 1988 Refer to abstract | 1,2 |
| <p>⁹ Special categories of cited documents: ¹⁵</p> <p>"A" document defining the general state of the art which is not considered to be of particular relevance</p> <p>"E" earlier document but published on or after the international filing date</p> <p>"L" document which may throw doubts on priority claim(s) or which is cited to establish the publication date of another citation or other special reason (as specified)</p> <p>"O" document referring to an oral disclosure, use, exhibition or other means</p> <p>"P" document published prior to the international filing date but later than the priority date claimed</p> <p>"T" later document published after the international filing date or priority date and not in conflict with the application but cited to understand the principle or theory underlying the invention</p> <p>"X" document of particular relevance; the claimed invention cannot be considered novel or cannot be considered to involve an inventive step</p> <p>"Y" document of particular relevance; the claimed invention cannot be considered to involve an inventive step when the document is combined with one or more other such documents, such combination being obvious to a person skilled in the art.</p> <p>"Δ" document member of the same patent family</p> | | |
| IV. CERTIFICATION | | |
| Date of the Actual Completion of the International Search ³ | Date of Mailing of this International Search Report ³ | |
| 04 JANUARY 1991 | 12 FEB 1991 | |
| International Searching Authority ¹ | Signature of Authorized Officer ²⁰ | |
| TSA/US |  CORRIE MAGLIONE | |

FURTHER INFORMATION CONTINUED FROM THE SECOND SHEET

| | | |
|---|---|-----|
| A | US,A, 4,838,857 STROWE ET AL. 13 JUNE 1989 (refer to abstract) | 1,2 |
| A | US,A, 4,853,521 CLAEYS ET AL. 01 AUGUST 1989 (refer to column 1, lines 32-45) | 1,2 |

V. OBSERVATIONS WHERE CERTAIN CLAIMS WERE FOUND UNSEARCHABLE¹

This international search report has not been established in respect of certain claims under Article 17(2) (a) for the following reasons:

1. Claim numbers because they relate to subject matter¹ not required to be searched by this Authority, namely:
2. Claim numbers because they relate to parts of the international application that do not comply with the prescribed requirements to such an extent that no meaningful international search can be carried out¹, specifically:
3. Claim numbers because they are dependent claims not drafted in accordance with the second and third sentences of PCT Rule 6.4(a).

VI. OBSERVATIONS WHERE UNITY OF INVENTION IS LACKING²

This International Searching Authority found multiple inventions in this international application as follows:

1. As all required additional search fees were timely paid by the applicant, this international search report covers all searchable claims of the international application.
2. As only some of the required additional search fees were timely paid by the applicant, this international search report covers only those claims of the international application for which fees were paid, specifically claims:
3. No required additional search fees were timely paid by the applicant. Consequently, this international search report is restricted to the invention first mentioned in the claims; it is covered by claim numbers:
4. As all searchable claims could be searched without effort justifying an additional fee, the International Searching Authority did not invite payment of any additional fee.

Remark on Protest

- The additional search fees were accompanied by applicant's protest.
- No protest accompanied the payment of additional search fees.

**This Page is Inserted by IFW Indexing and Scanning
Operations and is not part of the Official Record**

BEST AVAILABLE IMAGES

Defective images within this document are accurate representations of the original documents submitted by the applicant.

Defects in the images include but are not limited to the items checked:

- BLACK BORDERS**
- IMAGE CUT OFF AT TOP, BOTTOM OR SIDES**
- FADED TEXT OR DRAWING**
- BLURRED OR ILLEGIBLE TEXT OR DRAWING**
- SKEWED/SLANTED IMAGES**
- COLOR OR BLACK AND WHITE PHOTOGRAPHS**
- GRAY SCALE DOCUMENTS**
- LINES OR MARKS ON ORIGINAL DOCUMENT**
- REFERENCE(S) OR EXHIBIT(S) SUBMITTED ARE POOR QUALITY**
- OTHER:** _____

IMAGES ARE BEST AVAILABLE COPY.

As rescanning these documents will not correct the image problems checked, please do not report these problems to the IFW Image Problem Mailbox.